



 Hrabinská 498/19,
737 01 Český Těšín, Česká republika

 +420 603 933 363

 email: office@valwo.eu

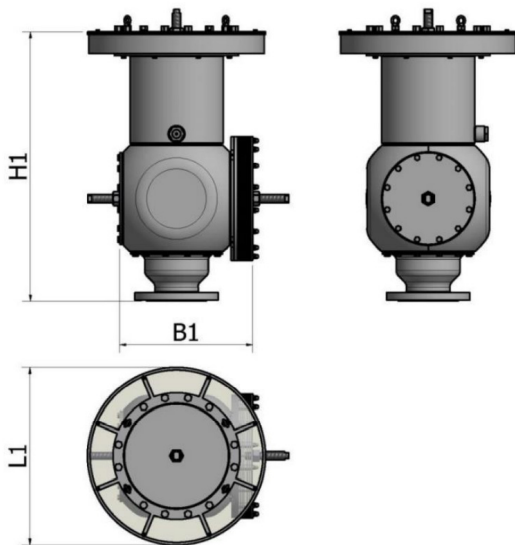
 www.valwo.eu/en

**MODULAR BREATHER
VALVES WITH
INTEGRATED FLAME
ARRESTER TORNADO TYPE**

MODULAR BREATHER VALVES WITH INTEGRATED FLAME ARRESTER TORNADO

The breather valves are a safety devices developed to prevent un-allowable high and low pressure on vessels and process systems; the MODULAR valve design created by INNOVA provide the best solution to achieve flow performance, high tightness but with a compact and light design.

The integrated flame arrester add the protection against flame transmission in case of flammable media; the patented "TORNADO" design, based on a reed pack instead of the traditional CMR, offer the best solution with less pressure drop and without clogging problems.



Technical data standart product

- Settings
Pressure: +2,0 mbarg up to +100 mbarg
+20 mm H²O up to +1000 mm H²O

Vaccum: -2,0 mbarg up to -100 mbarg
-20 mm H²O up to -1000 mm H²O
- Operating temperature
- 29 °C up to see the ATEX certificate for flame arrester tornado.

If you need non-standard calibrations or temperatures, we will try in evry way to satisfy your request!

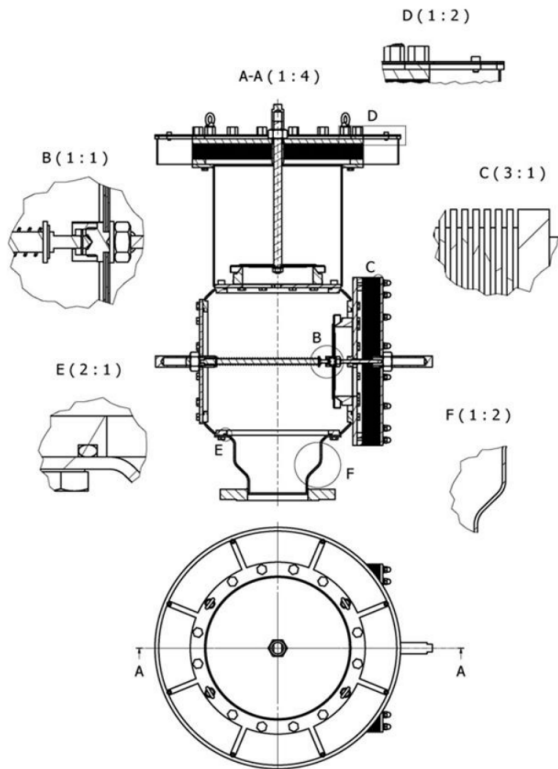
	DN25/1"	DN50/2"	DN80/3"	DN100/4"	DN150/6"	DN200/8"	DN250/10"	DN300/12"
L1	/	285	390	470	550	650	760	870
H1	344	445	595	720	945	1100	1305	1430
B1	182	226	292	342	439	510	608	658

All measurements are expressed in mm (international metric system S.I.), the dimensions may vary for different reasons, for greater dimensional accuracy ask for the detailed drawing of the selected product.

Materials od construction

Housing	Seat/Pallet	Pallet seal	Weights	Gasket
Aluminium	316 Stainless	Viton	316 Stainless steel	Asbestos free
Stainless steel		PTFE	PTFE	PTFE
Carbon steel		FEP teflon	ETFE coated	Other on request
Other exotic material		Metal to metal	HALAR coated	

MODULAR BREATHER VALVES WITH INTEGRATED FLAME ARRESTER TORNADO



VIEW-B

The INNOVA "swivel joint" remove all parallelism defects between seat and pallet giving the best tightness solution. As result, both in case of weight or spring solution, the valve set is extremely accurate.

VIEW-C

The TORNADO technology based on a reed pack prevents the media from sticking and therefore reduce drastically pressure drop problems and maintenance. The solid construction give more durability and improve the safety.

VIEW-D

The rainproof is the designed to protect the flame arrester in any weather condition. The strong but light design help the maintenance operations.

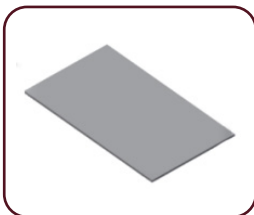
VIEW-E

O-rings are sealing each housing part giving the possibility to open and reclose the valve for inspection without need to replace them.

VIEW-F

The housing are fabricated from metal sheets providing the highest quality material with less weight.

A new manufacturing method for the highest quality



Starting from the metal sheet, the material is pressed and deformed to get the required shape; the parts are welded together and machined with special systems to achieve a perfect body; the result is a very light but high pressure resistance housing. The raw materials come from Europe and we are the only one providing a 100% Italian manufacturing.



VALWO s. r. o.
Hrabinská 498/19,
737 01 Český Těšín, Česká republika

+420 603 933 363
email: office@valwo.eu

website:
www.valwo.eu/en

VALWO s. r. o. informs, that this product sheet does not constitute an offer according to the law, but is only of informative character. All data available in this product sheet have been prepared basing on manufacturer's materials.
The data contained herein may be subject to change.

