



🏠 Hrabinská 498/19,
737 01 Český Těšín, Česká republika

☎ +420 603 933 363

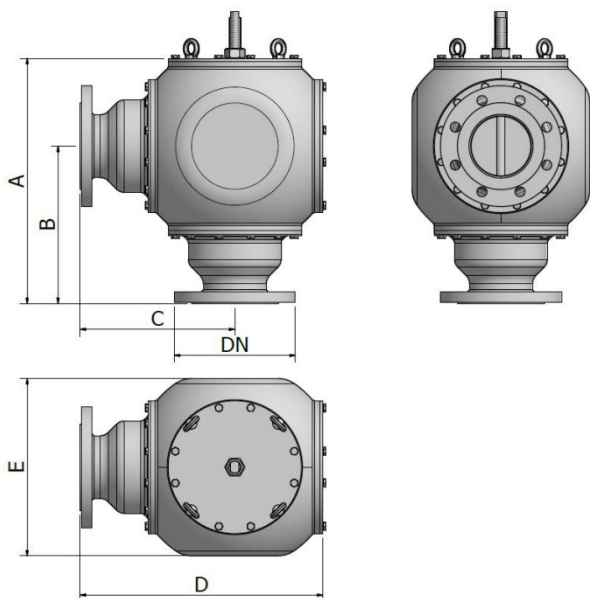
✉ email: office@valwo.eu

🌐 www.valwo.eu/en

MODULAR PRESSURE
VALVES PIPEAWAY

MODULAR PRESSURE VALVES PIPEAWAY

The pressure valves pipeaway are safety devices developed to prevent un-allowable high pressure on vessels and process systems; the MODULAR valve design created by INNOVA provide the best solution to achieve flow performance, high tightness but with a compact and light design.



Technical data standart product

- Settings
Pressure: +2,0 mbarg up to +100 mbarg
+20 mm H₂O up to +1000 mm H₂O
- Operating temperature
- 29 °C up to 140 °C continue
(+ 210 °C Max working Peak)
-20,2 °F up to + 284 °F continue)
(+410 °F Max working Peak)

If you need non-standard calibrations or temperatures, we will try in evry way to satisfy your request!

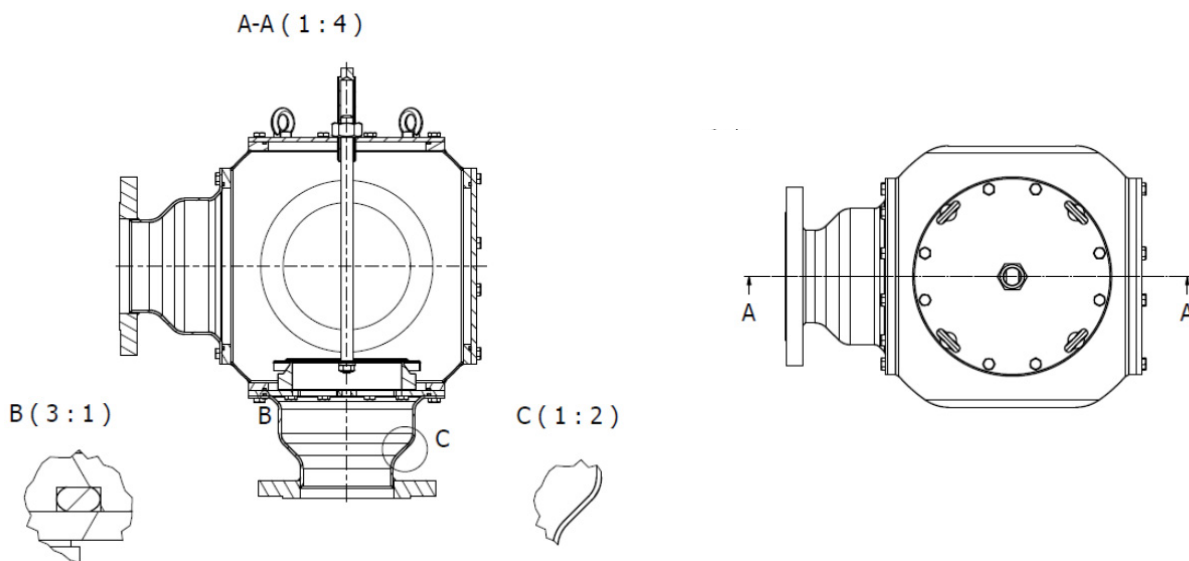
DN	A	B	C	D	E
25	226	149	145	222	140
50	282	183	179	278	192
80	371	237	231	365	265
100	447	287	281	441	323
150	580	368	360	572	442
200	658	414	406	650	519
250	779	479	469	769	623
300	856	531	521	846	684

All measurements are expressed in mm (international metric system S.I.), the dimensions may vary for different reasons, for greater dimensional accuracy ask for the detailed drawing of the selected product.

Materials od construction

Housing	Seat/Pallet	Pallet seal	Weights	Gasket
Aluminium	316 Stainless	Viton	316 Stainless steel	Asbestos free
Stainless steel		PTFE	PTFE	PTFE
Carbon steel		FEP teflon	ETFE coated	Other on request
Other exotic material		Metal to metal	HALAR coated	

MODULAR PRESSURE VALVES PIPEAWAY



VIEW-C

O-rings are sealing each housing part giving the possibility to open and reclose the valve for inspection without need to replace them.

VIEW-B

O-rings are sealing each housing part giving the possibility to open and reclose the valve for inspection without need to replace them.

A new manufacturing method for the highest quality



Starting from the metal sheet, the material is pressed and deformed to get the required shape; the parts are welded together and machined with special systems to achieve a perfect body; the result is a very light but high pressure resistance housing. The raw materials come from Europe and we are the only one providing a 100% Italian manufacturing.





VALWO s. r. o.
Hrabinská 498/19,
737 01 Český Těšín, Česká republika

+420 603 933 363
email: office@valwo.eu

website:
www.valwo.eu/en

VALWO s. r. o. informs, that this product sheet does not constitute an offer according to the law, but is only of informative character. All data available in this product sheet have been prepared basing on manufacturer's materials.
The data contained herein may be subject to change.

