

 Hrabinská 498/19,  
737 01 Český Těšín, Česká republika

 +420 603 933 363

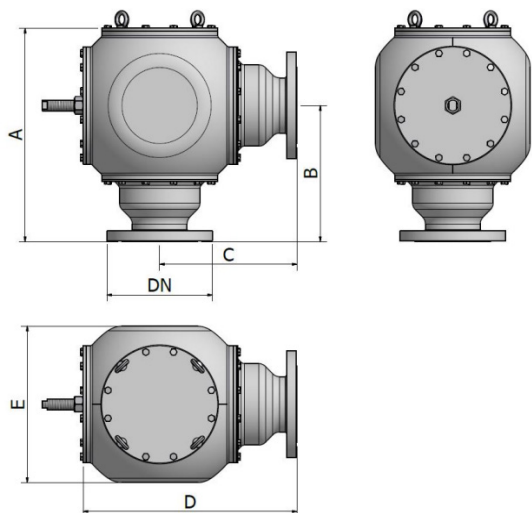
 email: [office@valwo.eu](mailto:office@valwo.eu)

 [www.valwo.eu/en](http://www.valwo.eu/en)

**MODULAR VACUUM**  
VALVES PIPEAWAY

# MODULAR VACUUM VALVES PIPEAWAY

The vacuum valves pipeaway are safety devices developed to prevent un-allowable low pressure on vessels and process systems; the MODULAR valve design created by INNOVA provide the best solution to achieve flow performance, high tightness but with a compact and light design.



## Technical data standart product

- Settings:  
Vaccum: -2,0 mbarg up to -100 mbarg  
-20 mm H<sup>2</sup>O up to -1000 mm H<sup>2</sup>O
- Operating temperature  
- 29 °C up to +140 °C  
(+210 °C max working Peak)  
  
-20,2 °F up to +284 °F continue  
(+410 °F max working peak)

If you need non-standard calibrations or temperatures, we will try in evry way to satisfy your request!

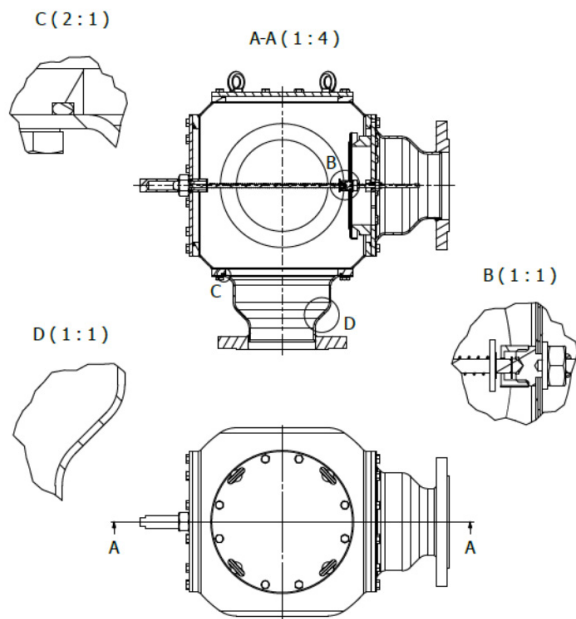
DN	A	B	C	D	E
25	222	220	140	222	140
50	278	297	192	278	192
80	365	405	265	365	265
100	441	481	323	441	323
150	572	656	442	572	442
200	650	787	519	650	519
250	769	948	623	769	623
300	840	1044	684	846	684

All measurements are expressed in mm (international metric system S.I.), the dimensions may vary for different reasons, for greater dimensional accuracy ask for the detailed drawing of the selected product.

## Materials od construction

Housing	Seat/Pallet	Pallet seal	Weights	Gasket
Aluminium	316 Stainless	Viton	316 Stainless steel	Asbestos free
Stainless steel		PTFE	PTFE	PTFE
Carbon steel		FEP teflon	ETFE coated	Other on request
Other exotic material		Metal to metal	HALAR coated	

# MODULAR VACUUM VALVES PIPEAWAY



## VIEW-B

The INNOVA "swivel joint" remove all parallelism defects between seat and pallet giving the best tightness solution As result, both in case of weight or spring solution, the valve set is extremely accurate.

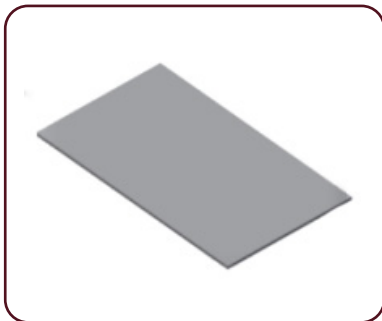
## VIEW-C

O-rings are sealing each housing part giving the possibility to open and reclose the valve for inspection without need to replace them.

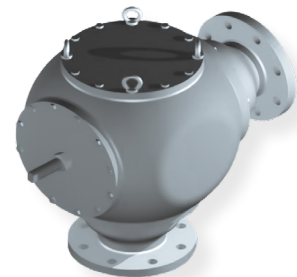
## VIEW-D

The housing are fabricated from metal sheets providing the highest quality material with less weight.

## A new manufacturing method for the highest quality



Starting from the metal sheet, the material is pressed and deformed to get the required shape the parts are welded together and machined with special systems to achieve a perfect body the result is a very light but high pressure resistance housing The raw materials come from Europe and we are the only one providing a 100 Italian manufacturing.







VALWO s. r. o.  
Hrabinská 498/19,  
737 01 Český Těšín, Česká republika

+420 603 933 363  
email: [office@valwo.eu](mailto:office@valwo.eu)

website:  
[www.valwo.eu/en](http://www.valwo.eu/en)

VALWO s. r. o. informs, that this product sheet does not constitute an offer according to the law, but is only of informative character. All data available in this product sheet have been prepared basing on manufacturer's materials.  
The data contained herein may be subject to change.

